

# ROGUE



## User Manual

 МУЗЦЕНТР  
МУЗЫКАЛЬНОЕ ОБОРУДОВАНИЕ

<https://muzcentre.ru>



Model ID: ROGUER3XWASH

  
**CHAUVET**  
PROFESSIONAL

## Edition Notes

The Rogue R3X Wash User Manual includes a description, safety precautions, installation, programming, operation and maintenance instructions for the Rogue R3X Wash as of the release date of this edition.

## Trademarks

Chauvet, Chauvet Professional, the Chauvet logo, and Rogue are registered trademarks or trademarks of Chauvet & Sons, LLC (d/b/a Chauvet and Chauvet Lighting) in the United States and other countries. Other company and product names and logos referred to herein may be trademarks of their respective companies.

## Copyright Notice

The works of authorship contained in this manual, including, but not limited to, all design, text and images are owned by Chauvet.

© Copyright 2022 Chauvet & Sons, LLC. All rights reserved.

Electronically published by Chauvet in the United States of America.

## Manual Use

Chauvet authorizes its customers to download and print this manual for professional information purposes only. Chauvet expressly prohibits the usage, copy, storage, distribution, modification, or printing of this manual or its content for any other purpose without written consent from Chauvet.

## Document Printing

For best results, print this document in color, on letter size paper (8.5 x 11 in), double-sided. If using A4 paper (210 x 297 mm), configure the printer to scale the content accordingly.

## Intended Audience

Any person installing, operating, and/or maintaining this product should completely read through the guide that shipped with the product, as well as this manual, before installing, operating, or maintaining this product.

## Disclaimer

Chauvet believes that the information contained in this manual is accurate in all respects. However, Chauvet assumes no responsibility and specifically disclaims any and all liability to any party for any loss, damage or disruption caused by any errors or omissions in this document, whether such errors or omissions result from negligence, accident or any other cause. Chauvet reserves the right to revise the content of this document without any obligation to notify any person or company of such revision, however, Chauvet has no obligation to make, and does not commit to make, any such revisions. Download the latest version from [www.chauvetprofessional.com](http://www.chauvetprofessional.com).

## Document Revision

This Rogue R3X Wash User Manual is the 4<sup>th</sup> edition of this document. Go to [www.chauvetprofessional.com](http://www.chauvetprofessional.com) for the latest version.

**TABLE OF CONTENTS**

- 1. Before You Begin ..... 1**
  - What Is Included ..... 1
  - Claims..... 1
  - Text Conventions..... 1
  - Symbols..... 1
  - FCC Compliance ..... 1
  - Expected LED Lifespan ..... 1
  - Safety Notes ..... 2
    - Personal Safety ..... 2
    - Mounting and Rigging..... 2
    - Power and Wiring ..... 2
    - Operation ..... 2
- 2. Introduction ..... 3**
  - Description..... 3
  - Features ..... 3
  - Product Overview ..... 3
  - Product Dimensions ..... 4
- 3. Setup ..... 5**
  - AC Power ..... 5
    - AC Plug..... 5
    - Power Linking ..... 5
    - Fuse Replacement..... 5
  - Remote Device Management (RDM) ..... 5
  - Mounting..... 6
    - Orientation ..... 6
    - Rigging..... 6
    - Procedure ..... 6
- 4. Operation ..... 7**
  - Control Panel Description ..... 7
  - Control Options..... 7
  - Programming..... 7
  - Menu Map..... 7
  - Configuration (DMX)..... 9
    - Control Personalities..... 9
    - Starting Address ..... 9
  - Control Channel Assignments and Values ..... 10
    - Color Chart ..... 10
    - Gobo Values ..... 10
    - LED Built-ins ..... 11
    - DMX Values..... 12
  - Configuration (Settings)..... 19
    - Pan Reverse ..... 19
    - Tilt Reverse..... 19
    - Pan Angle ..... 19
    - Tilt Angle..... 19
    - Fan Mode..... 19

---

Display Backlight .....	19
Screen Reverse .....	19
Color Mixing Mode .....	19
Dimmer Curve .....	19
Dimmer Speed .....	19
Pulse-Width Modulation Options .....	20
Color Calibration .....	20
White Mode .....	20
Reset Function .....	20
Factory Reset .....	20
Test Mode .....	20
Auto Test .....	20
Manual Test .....	20
System Information .....	20
Offset Mode (Zero Adjust) .....	20
<b>5. Maintenance .....</b>	<b>21</b>
Product Maintenance .....	21
<b>6. Technical Specifications .....</b>	<b>22</b>
<b>Returns .....</b>	<b>23</b>
<b>Contact Us .....</b>	<b>24</b>

## Before You Begin

# 1. Before You Begin

## What Is Included

- Rogue R3X Wash
- Neutrik® powerCON® power cord
- Omega bracket with mounting hardware
- Quick Reference Guide

## Claims

Carefully unpack the product immediately and check the container to make sure all the parts are in the package and are in good condition.




If the box or the contents (the product and included accessories) appear damaged from shipping, or show signs of mishandling, notify the carrier immediately, not Chauvet. Failure to report damage to the carrier immediately may invalidate your claim. In addition, keep the box and contents for inspection.

For other issues, such as missing components or parts, damage not related to shipping, or concealed damage, file a claim with Chauvet within 7 days of delivery.

## Text Conventions

Convention	Meaning
<b>1–512</b>	A range of values
<b>50/60</b>	A set of values of which only one can be chosen
<b>Settings</b>	A menu option not to be modified
<b>&lt;ENTER&gt;</b>	A key to be pressed on the product's control panel

## Symbols

Symbol	Meaning
	Critical installation, configuration, or operation information. Not following these instructions may make the product not work, cause damage to the product, or cause harm to the operator.
	Important installation or configuration information. The product may not function correctly if this information is not used.
	Useful information.



**Any reference to data or power connections in this manual assumes the use of Seetronic IP-rated cables.**



**The term “DMX” used throughout this manual refers to the USITT DMX512-A digital data transmission protocol.**

## FCC Compliance

This device complies with Part 15 Part B of the FCC Rules. Operation is subject to the following two conditions:

1. This device may not cause harmful interference, and
2. This device must accept any interference received, including interference that may cause undesired operation.

Any changes or modifications not expressly approved by the party responsible for compliance could void the user's authority to operate the equipment.

## Expected LED Lifespan

Over time, use and heat will gradually reduce LED brightness. Clustered LEDs produce more heat than single LEDs, contributing to shorter lifespans if always used at full intensity. The average LED lifespan is 40,000 to 50,000 hours. To extend LED lifespan, maintain proper ventilation around the product, and limit the overall intensity.

## Safety Notes

Read all the following safety notes before working with this product. These notes contain important information about the installation, usage, and maintenance of this product.



**This product contains no user-serviceable parts. Any reference to servicing in this User Manual will only apply to properly trained, certified technicians. Do not open the housing or attempt any repairs.**



**All applicable local codes and regulations apply to proper installation of this product.**

## Personal Safety

- Avoid direct eye exposure to the light source while the product is on.
- Always disconnect the product from the power source before cleaning or replacing the fuse.
- Always connect the product to a grounded circuit to avoid the risk of electrocution.
- Do not touch the product's housing when operating because it may be very hot.
- The maximum ambient temperature is 113 °F (45 °C). Do not operate this product at higher temperatures.

## Mounting and Rigging

- This product is not intended for permanent installation.
- This product is for indoor use only! To prevent risk of fire or shock, do not expose this product to rain or moisture. (IP20)
- CAUTION: When transferring product from extreme temperature environments, (e.g. cold truck to warm humid ballroom) condensation may form on the internal electronics of the product. To avoid causing a failure, allow product to fully acclimate to the surrounding environment before connecting it to power.
- Mount this product in a location with adequate ventilation, at least 20 in (50 cm) from adjacent surfaces.
- The luminaire should be positioned so that prolonged staring into the luminaire at a distance closer than 25.3 ft (7.7 m) is not expected.
- Make sure there are no flammable materials close to this product while it is operating.
- When hanging this product, always secure to a fastening device using a safety cable.
- Never carry the product by the power cord.

## Power and Wiring

- Make sure the power cord is not crimped or damaged.
- Always make sure you are connecting this product to the proper voltage in accordance with the specifications in this manual or on the product's specification label.
- To eliminate unnecessary wear and improve its lifespan, during periods of non-use completely disconnect the product from power via breaker or by unplugging it.
- Never connect this product to a dimmer pack or rheostat.
- Make sure to replace the fuse with another of the same type and rating.
- Never disconnect this product by pulling or tugging on the power cable.

## Operation

- The luminaire is intended for professional use only.
- If the external flexible cable or cord of this luminaire is damaged, it shall be replaced with a special cable or cord exclusively available from the manufacturer or its service agent.
- The light source contained in this luminaire shall only be replaced by the manufacturer, its service agent, or a similarly qualified person.
- Do not operate this product if there is damage on the housing, lenses, or cables. Have the damaged parts replaced by an authorized technician at once.
- Do not cover the ventilation slots when operating to avoid internal overheating.
- The maximum ambient temperature is 113 °F (45 °C). Do not operate the product at higher temperatures.
- The minimum startup temperature is -4°F (-20°C). Do not start the product at lower temperatures.
- The minimum ambient temperature is -22°F (-30°C). Do not operate the product at lower temperatures.
- In the event of a serious operation problem, stop using this product immediately!



**If your Chauvet product requires service, contact Chauvet Technical Support.**

## 2. Introduction

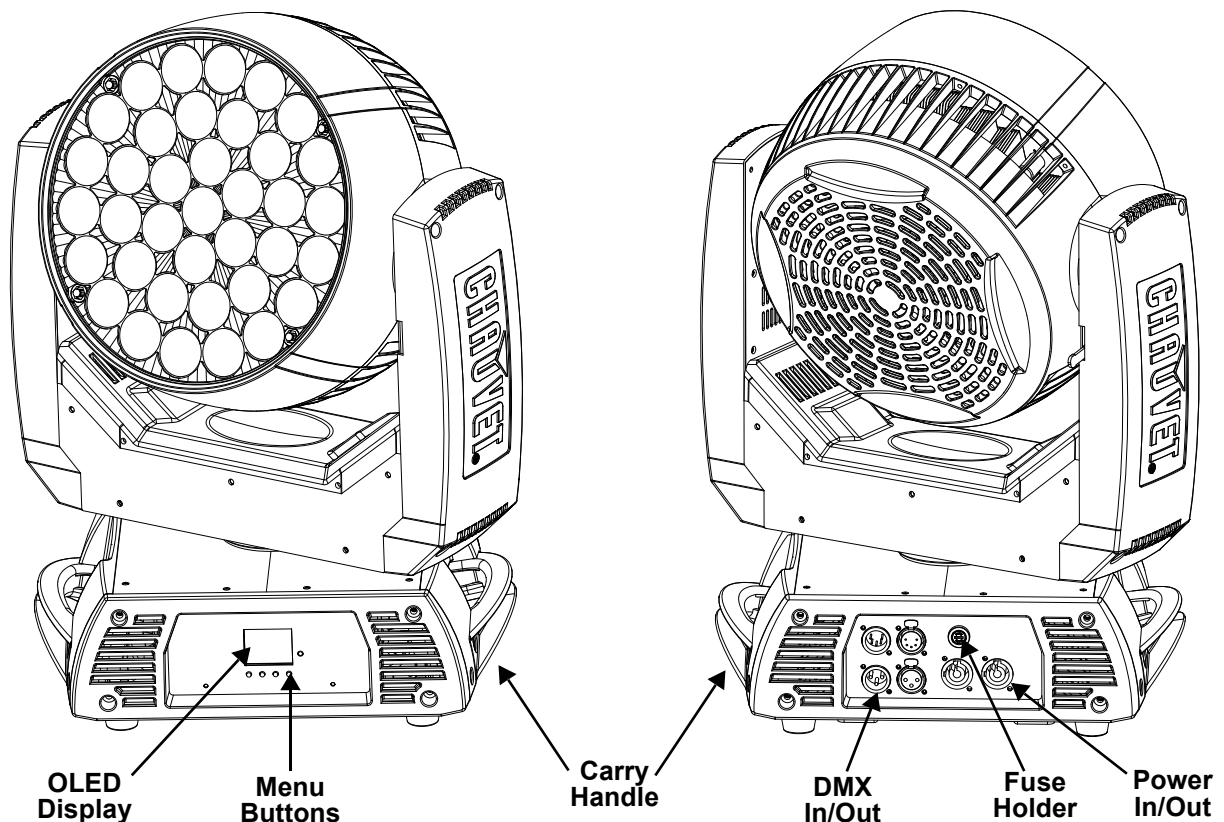
### Description

The Rogue R3X Wash features 37 RGBW 25 W quad-LEDs, with a unique “bubble” lens design for high-quality color rendering and visual effects. The Rogue R3X Wash also features a 12° to 49° zoom angle, fast and smooth pan and tilt movements, simple and complex DMX channel profiles, plus 3-pin and 5-pin DMX connectors.

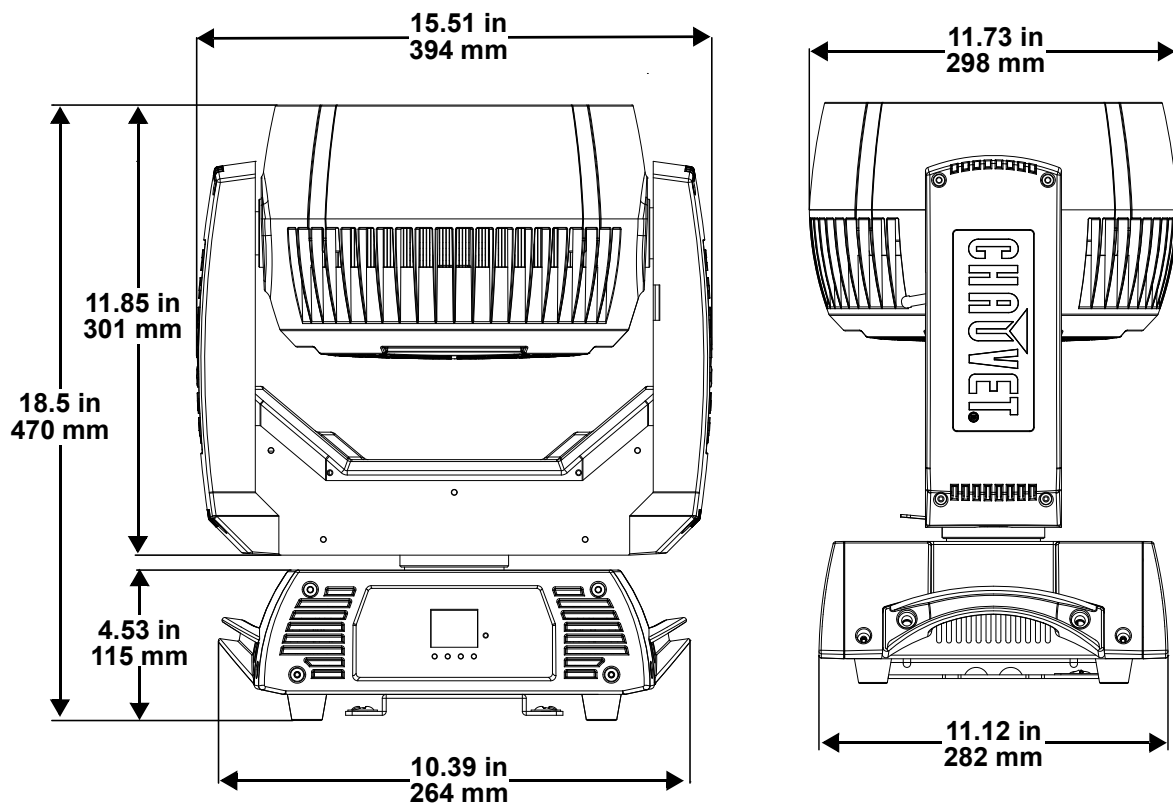
### Features

- Fully featured RGBW LED yoke wash fixture with zoom
- 16-bit dimming of master dimmer as well as individual colors for smooth control of fades
- 37 RGBW LEDs, 25 W each
- 3- and 5-pin DMX input/output connections
- Unique lens design for excellent color blending
- Fast, smooth pan and tilt movement
- RDM enabled for remote addressing and trouble shooting
- Selectable LED maximum output to match legacy Rogue R3 Washes
- Selectable PWM settings for camera operation
- 6 distinct dimming modes for advanced control
- Omega mounting bracket, fits all Rogue and Maverick fixtures
- Easy to read OLED display with simple, effective menu options
- Simple and complex DMX channel profiles for programming versatility

### Product Overview



**Product Dimensions**





## Setup

### 3. Setup

#### AC Power

The Rogue R3X Wash has an auto-ranging power supply and it can work with an input voltage range of 100 to 240 VAC, 50/60 Hz.

To determine the product's power requirements (circuit breaker, power outlet, and wiring), use the current value listed on the label affixed to the product's back panel, or refer to the product's specifications chart. The listed current rating indicates the product's average current draw under normal conditions.



- **Always connect the product to a protected circuit (a circuit breaker or fuse). Make sure the product has an appropriate electrical ground to avoid the risk of electrocution or fire.**
- **To eliminate unnecessary wear and improve its lifespan, during periods of non-use completely disconnect the product from power via breaker or by unplugging it.**



**Never connect the product to a rheostat (variable resistor) or dimmer circuit, even if the rheostat or dimmer channel serves only as a 0 to 100% switch.**

#### AC Plug

The Rogue R3X Wash comes with a power input cord terminated with a Seetronic Powerkon A connector on one end and an Edison plug on the other end (U.S. market). If the power input cord that came with your product has no plug, or if you need the change the plug, use the table below to wire the new plug.

Connection	Wire (U.S.)	Wire (Europe)	Screw Color
AC Live	Black	Brown	Yellow or Brass
AC Neutral	White	Blue	Silver
AC Ground	Green/Yellow	Green/Yellow	Green

#### Power Linking

It is possible to link up to 0 Rogue R3X Wash products at 100 V, 2 products at 120 V, 3 products at 208 V, 4 products at 230 V, or 4 products at 240 V. Never exceed this number. This product comes with a power input cord. Power linking cables are available from Chauvet for purchase.

#### Fuse Replacement

1. Disconnect this product from the power outlet.
2. Using a flat-head screwdriver, unscrew the fuse holder cap from the housing.
3. Remove the blown fuse and replace with another fuse of the same type and rating (F 5 A, 250 V).
4. Screw the fuse holder cap back in place and reconnect power.

#### Remote Device Management (RDM)

Remote Device Management, or RDM, is a standard for allowing DMX-enabled devices to communicate bi-directionally along existing DMX cabling. Check the DMX controller's User Manual or with the manufacturer as not all DMX controllers have this capability. The Rogue R3X Wash supports RDM protocol that allows feedback to make changes to menu map options.

## Mounting

Before mounting the product, read and follow the safety recommendations indicated in the [Safety Notes](#). For our CHAUVET Professional line of mounting clamps, go to <http://trusst.com/products/>.

### Orientation

Always mount this product in a safe position, making sure there is adequate room for ventilation, configuration, and maintenance.

### Rigging

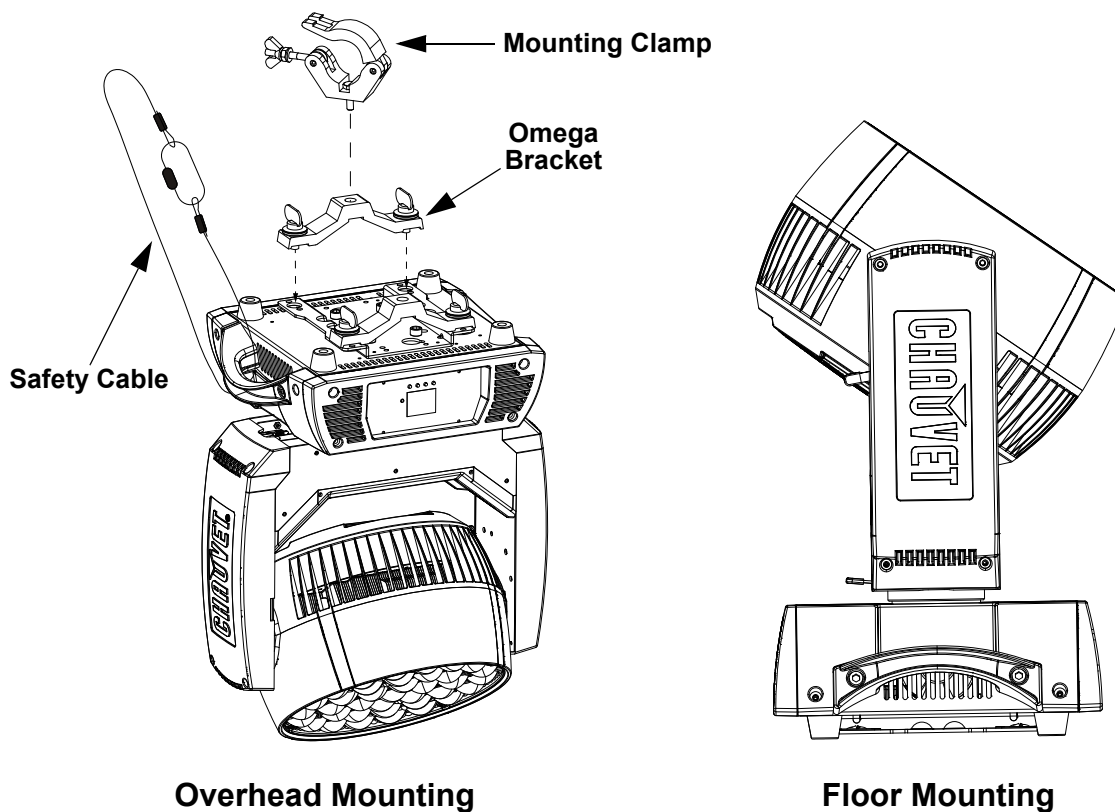
Chauvet recommends using the following general guidelines when mounting this product.

- Before deciding on a location for the product, make sure there is easy access to the product for maintenance and programming purposes.
- Make sure that the structure onto which you are mounting the product can support the product's weight. See the [Technical Specifications](#) for weight information.
- When mounting the product overhead, always use a safety cable. Mount the product securely to a rigging point, whether an elevated platform or a truss.
- When rigging the product onto a truss, use a mounting clamp of appropriate weight capacity.

### Procedure

The Rogue R3X Wash comes with a bracket to which you can attach a mounting clamp directly. Mounting clamps are sold separately. Make sure the clamps are capable of supporting the weight of this product. Use at least two mounting points per product. For the CHAUVET Professional line of mounting clamps, go to <http://www.trusst.com/products>.

### Mounting Diagram



## 4. Operation

### Control Panel Description

Button	Function
<MENU>	Exits from the current menu or function
<UP>	Enables the currently displayed menu or sets the currently selected value in to the current function
<DOWN>	Navigates upward through the menu list or increases the numeric value when in a function
<ENTER>	Navigates downward through the menu list or decreases the numeric value when in a function

### Control Options

Set the Rogue R3X Wash starting address in the **001–512** DMX range.

### Programming

Refer to the Menu Map to understand the menu options. The menu map shows the main level and a variable number of programming levels for each option.

- To go to the desired main level, press **<MENU>** repeatedly until the option shows on the display. Press **<ENTER>** to select. This will take you to the first programming level for that option.
- To select an option or value within the current programming level, press **<UP>** or **<DOWN>** until the option shows on the display. Press **<ENTER>** to select. In this case, if there is another programming level, you will see that first option, or you will see the selected value.
- Press **<MENU>** repeatedly to exit to the previous main level.

### Menu Map

Main Level	Programming Levels		Description	
Address	001–512		Sets the starting address	
Run Mode	DMX	21 CH	Selects the DMX personality	
		62 CH		
		71 CH		
		107 CH		
	Auto Test		Auto test all functions	
	Manual Test	Pan	000–255	Manually control and test all settings through the control panel
		Tilt		
		P/T Speed		
		Red		
		Green		
		Blue		
		White		
		CTC		
		Color		
		Pattern		
LED Macro				
LED Ma. Speed				
LED Ma. Fade				
Background				
Background Dim.				
Dimmer				
Shutter				
Zoom				

Main Level	Programming Levels			Description
Setup	Pan Reverse	OFF		Normal pan
		ON		Reversed pan
	Tilt Reverse	OFF		Normal tilt
		ON		Reversed tilt
	Zoom Reverse	OFF		Reverse zoom operation
		ON		Normal zoom operation
	Pan Angle	540		540° pan range
		360		360° pan range
		180		180° pan range
	Tilt Angle	230		230° tilt range
		180		180° tilt range
		90		90° tilt range
	XY Mode	Fast		Sets pan/tilt speed
		Slow		
	Fans	Auto		Fan speed according to product temperature
		ECO		Quiet mode
		Full		Fan speed set on high
	Display	OFF		Display turns off
		ON		Display stays on
	Screen Rev	OFF		Normal display
		ON		Inverted display
	C Mixing Mode	RGBW		Set the color mixing method
		CMY		
	Dimmer Curve	Linear		Set the dimmer curve
		Square		
		I Squa		
		SCurve		
	Dimmer Speed	Smooth		Smooth dimmer speed
		Fast		Fast dimmer speed
	PWM Option	600Hz		Sets the PWM frequency
1200Hz				
2000Hz				
4000Hz				
6000Hz				
15000Hz				
Color Calibration	On		Uses factory default white setting	
	Off		Uses maximum output values	
	Custom	RED	100–255	Sets red LED maximum value
		GREEN		Sets green LED maximum value
		BLUE		Sets blue LED maximum value
White Mode	On		Calibrates white to 7500K	
	Off		Uses maximum output values	
	Custom	RED	000–255	Sets red LED maximum value
		GREEN		Sets green LED maximum value
		BLUE		Sets blue LED maximum value
WHITE		Sets white LED maximum value		

## Operation

Main Level	Programming Levels		Description	
Setup (cont.)	Reset Function	Pan/Tilt	NO	Reset individual functions or all functions from start-up
			YES	
		Zoom	NO	
			YES	
		All	NO	
			YES	
	Factory Reset		Yes	Reset to factory default settings
			No	
Sys Info	Ver		Shows firmware version	
	Running Mode		Shows current running mode	
	DMX Address		Shows current starting address	
	Temperature		Shows current product temperature in °C	
	Fixture Time		Shows number of hours product has been powered on	
	UID		Shows product UID	

## Configuration (DMX)

Use control configurations to operate the product with a DMX controller.

### Control Personalities

To set the control personality:

1. Go to the **Run Mode** main level.
2. Select the **DMX** option.
3. Select the desired personality, from **21 CH**, **62 CH**, **71 CH**, or **107 CH**.
  - See the [Starting Address](#) section for the highest starting address you can select for each personality.
  - Make sure that the starting addresses on the various products do not overlap due to the new personality setting.



### Starting Address

Each product will respond to a unique starting address from the controller. All products with the same starting address will respond in unison. To set the starting address:

1. Go to the **Address** main level.
2. Select the starting address (**001–512**).

## Control Channel Assignments and Values

### Color Chart

DMX Value	Percent/Setting	Red Value	Green Value	Blue Value	White Value
000	No function	000	000	000	000
001 ⇔ 002	White 2700K	156	118	000	063
003 ⇔ 004	White 3200K	156	141	005	089
005 ⇔ 006	White 4200K	156	141	014	255
007 ⇔ 008	White 5600K	156	207	054	255
009 ⇔ 010	White 8000K	130	255	096	255
011	Blue	000	000	255	000
012 ⇔ 048		000	+	255	000
049	Cyan	000	255	255	000
050 ⇔ 086		000	255	-	000
087	Green	000	255	000	000
088 ⇔ 124		+	255	000	000
125	Yellow	255	255	000	000
126 ⇔ 162		255	-	000	000
163	Red	255	000	000	000
164 ⇔ 200		255	000	+	000
201	Magenta	255	000	255	000
202 ⇔ 238		-	000	255	000
239	Blue	000	000	255	000
240 ⇔ 247	Color fade, fast to slow	Various	Various	Various	Various
248 ⇔ 255	Color snap, fast to slow	Various	Various	Various	Various

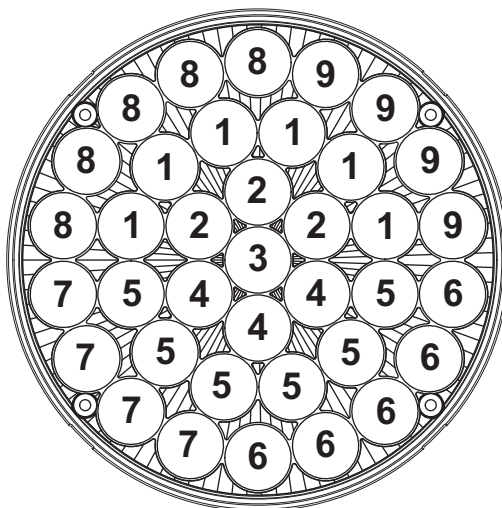
### Gobo Values

Values	Gobo	Values	Gobo	Values	Gobo
000 ⇔ 003	No function	088 ⇔ 090	Gobo 28	172 ⇔ 174	Gobo 56
004 ⇔ 006	Gobo 1	091 ⇔ 093	Gobo 29	175 ⇔ 177	Gobo 57
007 ⇔ 009	Gobo 2	094 ⇔ 096	Gobo 30	178 ⇔ 180	Gobo 58
010 ⇔ 012	Gobo 3	097 ⇔ 099	Gobo 31	181 ⇔ 183	Gobo 59
013 ⇔ 015	Gobo 4	100 ⇔ 102	Gobo 32	184 ⇔ 186	Gobo 60
016 ⇔ 018	Gobo 5	103 ⇔ 105	Gobo 33	187 ⇔ 189	Gobo 61
019 ⇔ 021	Gobo 6	106 ⇔ 108	Gobo 34	190 ⇔ 192	Gobo 62
022 ⇔ 024	Gobo 7	109 ⇔ 111	Gobo 35	193 ⇔ 195	Gobo 63
025 ⇔ 027	Gobo 8	112 ⇔ 114	Gobo 36	196 ⇔ 198	Gobo 64
028 ⇔ 030	Gobo 9	115 ⇔ 117	Gobo 37	199 ⇔ 201	Gobo 65
031 ⇔ 033	Gobo 10	118 ⇔ 120	Gobo 38	202 ⇔ 204	Gobo 66
034 ⇔ 036	Gobo 11	121 ⇔ 123	Gobo 39	205 ⇔ 207	Gobo 67
037 ⇔ 039	Gobo 12	124 ⇔ 126	Gobo 40	208 ⇔ 210	Gobo 68
040 ⇔ 042	Gobo 13	127 ⇔ 129	Gobo 41	211 ⇔ 213	Gobo 69
043 ⇔ 045	Gobo 14	130 ⇔ 132	Gobo 42	214 ⇔ 216	Gobo 70
046 ⇔ 048	Gobo 15	133 ⇔ 135	Gobo 43	217 ⇔ 219	Gobo 71
049 ⇔ 051	Gobo 16	136 ⇔ 138	Gobo 44	220 ⇔ 222	Gobo 72
052 ⇔ 054	Gobo 17	139 ⇔ 141	Gobo 45	223 ⇔ 225	Gobo 73
055 ⇔ 057	Gobo 18	142 ⇔ 144	Gobo 46	226 ⇔ 228	Gobo 74
058 ⇔ 060	Gobo 19	145 ⇔ 147	Gobo 47	229 ⇔ 231	Gobo 75
061 ⇔ 063	Gobo 20	148 ⇔ 150	Gobo 48	232 ⇔ 234	Gobo 76
067 ⇔ 069	Gobo 21	151 ⇔ 153	Gobo 49	235 ⇔ 237	Gobo 77
070 ⇔ 072	Gobo 22	154 ⇔ 156	Gobo 50	238 ⇔ 240	Gobo 78
073 ⇔ 075	Gobo 23	157 ⇔ 159	Gobo 51	241 ⇔ 243	Gobo 79
076 ⇔ 078	Gobo 24	160 ⇔ 162	Gobo 52	244 ⇔ 246	Gobo 80
079 ⇔ 081	Gobo 25	163 ⇔ 165	Gobo 53	247 ⇔ 249	Gobo 81
082 ⇔ 084	Gobo 26	166 ⇔ 168	Gobo 54	250 ⇔ 252	Gobo 82
085 ⇔ 087	Gobo 27	169 ⇔ 171	Gobo 55	253 ⇔ 255	Gobo 83

**LED Built-ins**

Values	LED Built-in (color controllable)	Values	LED Built-ins (auto color)
000 ⇔ 015	No function	136 ⇔ 137	Built-in 37
016 ⇔ 017	Built-in 1	138 ⇔ 139	Built-in 38
018 ⇔ 019	Built-in 2	140 ⇔ 141	Built-in 39
020 ⇔ 021	Built-in 3	142 ⇔ 143	Built-in 40
022 ⇔ 023	Built-in 4	144 ⇔ 145	Built-in 41
024 ⇔ 025	Built-in 5	146 ⇔ 147	Built-in 42
026 ⇔ 027	Built-in 6	148 ⇔ 149	Built-in 43
028 ⇔ 029	Built-in 7	150 ⇔ 151	Built-in 44
030 ⇔ 031	Built-in 8	152 ⇔ 153	Built-in 45
032 ⇔ 033	Built-in 9	154 ⇔ 155	Built-in 46
034 ⇔ 035	Built-in 10	156 ⇔ 157	Built-in 47
036 ⇔ 037	Built-in 11	158 ⇔ 159	Built-in 48
038 ⇔ 039	Built-in 12	160 ⇔ 161	Built-in 49
040 ⇔ 041	Built-in 13	162 ⇔ 163	Built-in 50
042 ⇔ 043	Built-in 14	164 ⇔ 165	Built-in 51
044 ⇔ 045	Built-in 15	166 ⇔ 167	Built-in 52
046 ⇔ 047	Built-in 16	168 ⇔ 169	Built-in 53
048 ⇔ 049	Built-in 17	170 ⇔ 171	Built-in 54
050 ⇔ 051	Built-in 18	172 ⇔ 173	Built-in 55
052 ⇔ 053	Built-in 19	174 ⇔ 175	Built-in 56
054 ⇔ 055	Built-in 20	176 ⇔ 177	Built-in 57
056 ⇔ 057	Built-in 21	178 ⇔ 179	Built-in 58
058 ⇔ 059	Built-in 22	180 ⇔ 181	Built-in 59
060 ⇔ 061	Built-in 23	182 ⇔ 183	Built-in 60
062 ⇔ 063	Built-in 24	184 ⇔ 185	Built-in 61
064 ⇔ 065	Built-in 25	186 ⇔ 187	Built-in 62
066 ⇔ 067	Built-in 26	188 ⇔ 189	Built-in 63
068 ⇔ 069	Built-in 27	190 ⇔ 191	Built-in 64
070 ⇔ 071	Built-in 28	192 ⇔ 193	Built-in 65
072 ⇔ 073	Built-in 29	194 ⇔ 195	Built-in 66
074 ⇔ 075	Built-in 30	196 ⇔ 197	Built-in 67
076 ⇔ 077	Built-in 31	198 ⇔ 199	Built-in 68
078 ⇔ 079	Built-in 32	200 ⇔ 201	Built-in 69
080 ⇔ 081	Built-in 33	202 ⇔ 203	Built-in 70
082 ⇔ 083	Built-in 34	204 ⇔ 205	Built-in 71
084 ⇔ 085	Built-in 35	206 ⇔ 255	Built-in 72 (main)
086 ⇔ 135	Built-in 36 (main)		

Rogue R3X Wash Zones for DMX Control



DMX Values

107CH	Function	Value	Percent/Setting
1	Pan	000 ⇔ 255	0–100%
2	Fine Pan	000 ⇔ 255	Fine control (16-bit)
3	Tilt	000 ⇔ 255	0–100%
4	Fine Tilt	000 ⇔ 255	Fine control (16-bit)
5	Pan/Tilt Speed	000 ⇔ 255	0–100%
6	Dimmer	000 ⇔ 255	0–100%
7	Fine Dimmer	000 ⇔ 255	Fine control (16-bit)
8	Shutter	000 ⇔ 019	Closed
		020 ⇔ 024	Open
		025 ⇔ 064	Strobe 1 with decreasing speed
		065 ⇔ 069	Open
		070 ⇔ 084	Strobe 2 (fast on slow off) with decreasing speed
		085 ⇔ 089	Open
		090 ⇔ 104	Strobe 3 (slow on fast off) with decreasing speed
		105 ⇔ 109	Open
		110 ⇔ 124	Strobe 4 (random strobe) with decreasing speed
		125 ⇔ 129	Open
		130 ⇔ 144	Strobe 5 (random fast on slow off) with decreasing speed
		145 ⇔ 149	Open
		150 ⇔ 164	Strobe 6 (random slow on fast off) with decreasing speed
		165 ⇔ 169	Open
		170 ⇔ 184	Strobe 7 (pulse strobe) with decreasing speed
		185 ⇔ 189	Open
190 ⇔ 204	Strobe 8 (random pulse strobe) with decreasing speed		
205 ⇔ 209	Open		
210 ⇔ 224	Strobe 9 (fade on or off) with decreasing speed		
225 ⇔ 229	Open		
230 ⇔ 244	Strobe 10 (pulse strobe) with decreasing speed		
245 ⇔ 255	Open		
9	CTC	000	No function
		245 ⇔ 255	10,000K to 2800K



## Operation

107CH	Function	Value	Percent/Setting
10	Colors	000 ⇔ 255	see <a href="#">Color Chart</a>
11	Gobos	000 ⇔ 255	see <a href="#">Gobo Values</a>
12	LED Built-ins	000 ⇔ 255	see <a href="#">LED Built-ins</a>
13	LED Built-in Speed	000 ⇔ 127	Clockwise, fast to slow
		128	Stop
		129 ⇔ 255	Counterclockwise, slow to fast
14	LED Built-in Delay	000 ⇔ 255	Fast to slow
15	Background Color Macros	000 ⇔ 255	see <a href="#">Color Chart</a>
16	Background Color Dimmer	000 ⇔ 255	0–100%
17	Background Color Fine Dimmer	000 ⇔ 255	Fine control (16-bit)
18	Background Red	000 ⇔ 255	0–100%
19	Background Fine Red	000 ⇔ 255	Fine control (16-bit)
20	Background Green	000 ⇔ 255	0–100%
21	Background Fine Green	000 ⇔ 255	Fine control (16-bit)
22	Background Blue	000 ⇔ 255	0–100%
23	Background Fine Blue	000 ⇔ 255	Fine control (16-bit)
24	Background White	000 ⇔ 255	0–100%
25	Background Fine White	000 ⇔ 255	Fine control (16-bit)
26	Zoom	000 ⇔ 255	Narrow to wide
27	Control	000 ⇔ 009	No function
		010 ⇔ 014	Pan/Tilt blackout
		015 ⇔ 019	No function
		020 ⇔ 024	RGBW color mixing (5 sec.)
		025 ⇔ 029	CMY color mixing (5 sec.)
		030 ⇔ 049	No function
		050 ⇔ 054	Pan reset
		055 ⇔ 059	Tilt reset
		060 ⇔ 064	Zoom reset
		065 ⇔ 069	No function
		070 ⇔ 074	Reset all
		075 ⇔ 079	No function
		080 ⇔ 084	Pan/tilt reverse
		085 ⇔ 089	Pan reverse
		090 ⇔ 094	Tilt reverse
		095 ⇔ 099	Cancel pan reverse
		100 ⇔ 104	Cancel tilt reverse
		105 ⇔ 109	Cancel pan/tilt reverse
		110 ⇔ 119	No function
		120 ⇔ 124	Fan low speed
		125 ⇔ 129	Fan full speed
		130 ⇔ 134	Fan auto
		135 ⇔ 139	Dimmer fast mode
140 ⇔ 144	Dimmer smooth mode		
145 ⇔ 149	Linear curve		
150 ⇔ 154	Square curve		
155 ⇔ 159	I Squa curve		
160 ⇔ 164	S-Curve		
165 ⇔ 169	White mode on		
170 ⇔ 174	White mode off		
175 ⇔ 255	No function		

107CH	Function		Value	Percent/Setting
28	Red	Cyan	000 ⇔ 255	0–100% / 100–0%
29	Fine Red	Fine Cyan	000 ⇔ 255	Fine control (16-bit)
30	Green	Magenta	000 ⇔ 255	0–100% / 100–0%
31	Fine Green	Fine Magenta	000 ⇔ 255	Fine control (16-bit)
32	Blue	Yellow	000 ⇔ 255	0–100% / 100–0%
33	Fine Blue	Fine Yellow	000 ⇔ 255	Fine control (16-bit)
34	White		000 ⇔ 255	0–100% / 100–0%
35	Fine White		000 ⇔ 255	Fine control (16-bit)
36	Red 1	Cyan 1	000 ⇔ 255	0–100% / 100–0%
37	Fine Red 1	Fine Cyan 1	000 ⇔ 255	Fine control (16-bit)
38	Green 1	Magenta 1	000 ⇔ 255	0–100% / 100–0%
39	Fine Green 1	Fine Magenta 1	000 ⇔ 255	Fine control (16-bit)
40	Blue 1	Yellow 1	000 ⇔ 255	0–100% / 100–0%
41	Fine Blue 1	Fine Yellow 1	000 ⇔ 255	Fine control (16-bit)
42	White 1		000 ⇔ 255	0–100% / 100–0%
43	Fine White 1		000 ⇔ 255	Fine control (16-bit)
44	Red 2	Cyan 2	000 ⇔ 255	0–100% / 100–0%
45	Fine Red 2	Fine Cyan 2	000 ⇔ 255	Fine control (16-bit)
46	Green 2	Magenta 2	000 ⇔ 255	0–100% / 100–0%
47	Fine Green 2	Fine Magenta 2	000 ⇔ 255	Fine control (16-bit)
48	Blue 2	Yellow 2	000 ⇔ 255	0–100% / 100–0%
49	Fine Blue 2	Fine Yellow 2	000 ⇔ 255	Fine control (16-bit)
50	White 2		000 ⇔ 255	0–100% / 100–0%
51	Fine White 2		000 ⇔ 255	Fine control (16-bit)
52	Red 3	Cyan 3	000 ⇔ 255	0–100% / 100–0%
53	Fine Red 3	Fine Cyan 3	000 ⇔ 255	Fine control (16-bit)
54	Green 3	Magenta 3	000 ⇔ 255	0–100% / 100–0%
55	Fine Green 3	Fine Magenta 3	000 ⇔ 255	Fine control (16-bit)
56	Blue	Yellow 3	000 ⇔ 255	0–100% / 100–0%
57	Fine Blue	Fine Yellow 3	000 ⇔ 255	Fine control (16-bit)
58	White 3		000 ⇔ 255	0–100% / 100–0%
59	Fine White 3		000 ⇔ 255	Fine control (16-bit)
60	Red 4	Cyan 4	000 ⇔ 255	0–100% / 100–0%
61	Fine Red 4	Fine Cyan 4	000 ⇔ 255	Fine control (16-bit)
62	Green 4	Magenta 4	000 ⇔ 255	0–100% / 100–0%
63	Fine Green 4	Fine Magenta 4	000 ⇔ 255	Fine control (16-bit)
64	Blue 4	Yellow 4	000 ⇔ 255	0–100% / 100–0%
65	Fine Blue 4	Fine Yellow 4	000 ⇔ 255	Fine control (16-bit)
66	White 4		000 ⇔ 255	0–100% / 100–0%
67	Fine White 4		000 ⇔ 255	Fine control (16-bit)
68	Red 5	Cyan 5	000 ⇔ 255	0–100% / 100–0%
69	Fine Red 5	Fine Cyan 5	000 ⇔ 255	Fine control (16-bit)
70	Green 5	Magenta 5	000 ⇔ 255	0–100% / 100–0%
71	Fine Green 5	Fine Magenta 5	000 ⇔ 255	Fine control (16-bit)
72	Blue 5	Yellow 5	000 ⇔ 255	0–100% / 100–0%
73	Fine Blue 5	Fine Yellow 5	000 ⇔ 255	Fine control (16-bit)
74	White 5		000 ⇔ 255	0–100% / 100–0%
75	Fine White 5		000 ⇔ 255	Fine control (16-bit)
76	Red 6	Cyan 6	000 ⇔ 255	0–100% / 100–0%
77	Fine Red 6	Fine Cyan 6	000 ⇔ 255	Fine control (16-bit)
78	Green 6	Magenta 6	000 ⇔ 255	0–100% / 100–0%

## Operation

107CH	Function		Value	Percent/Setting
79	Fine Green 6	Fine Magenta 6	000 ⇔ 255	Fine control (16-bit)
80	Blue 6	Yellow 6	000 ⇔ 255	0–100% / 100–0%
81	Fine Blue 6	Fine Yellow 6	000 ⇔ 255	Fine control (16-bit)
82	White 6		000 ⇔ 255	0–100% / 100–0%
83	Fine White 6		000 ⇔ 255	Fine control (16-bit)
84	Red 7	Cyan 7	000 ⇔ 255	0–100% / 100–0%
85	Fine Red 7	Fine Cyan 7	000 ⇔ 255	Fine control (16-bit)
86	Green 7	Magenta 7	000 ⇔ 255	0–100% / 100–0%
87	Fine Green 7	Fine Magenta 7	000 ⇔ 255	Fine control (16-bit)
88	Blue 7	Yellow 7	000 ⇔ 255	0–100% / 100–0%
89	Fine Blue 7	Fine Yellow 7	000 ⇔ 255	Fine control (16-bit)
90	White 7		000 ⇔ 255	0–100% / 100–0%
91	Fine White 7		000 ⇔ 255	Fine control (16-bit)
92	Red 8	Cyan 8	000 ⇔ 255	0–100% / 100–0%
93	Fine Red 8	Fine Cyan 8	000 ⇔ 255	Fine control (16-bit)
94	Green 8	Magenta 8	000 ⇔ 255	0–100% / 100–0%
95	Fine Green 8	Fine Magenta 8	000 ⇔ 255	Fine control (16-bit)
96	Blue 8	Yellow 8	000 ⇔ 255	0–100% / 100–0%
97	Fine Blue 8	Fine Yellow 8	000 ⇔ 255	Fine control (16-bit)
98	White 8		000 ⇔ 255	0–100% / 100–0%
99	Fine White 8		000 ⇔ 255	Fine control (16-bit)
100	Red 9	Cyan 9	000 ⇔ 255	0–100% / 100–0%
101	Fine Red 9	Fine Cyan 9	000 ⇔ 255	Fine control (16-bit)
102	Green 9	Magenta 9	000 ⇔ 255	0–100% / 100–0%
103	Fine Green 9	Fine Magenta 9	000 ⇔ 255	Fine control (16-bit)
104	Blue 9	Yellow 9	000 ⇔ 255	0–100% / 100–0%
105	Fine Blue 9	Fine Yellow 9	000 ⇔ 255	Fine control (16-bit)
106	White 9		000 ⇔ 255	0–100% / 100–0%
107	Fine White 9		000 ⇔ 255	Fine control (16-bit)

21CH	62CH	71CH	Function	Value	Percent/Setting
1	1	1	Pan	000 ⇔ 255	0–100%
2	2	2	Fine Pan	000 ⇔ 255	Fine control (16-bit)
3	3	3	Tilt	000 ⇔ 255	0–100%
4	4	4	Fine Tilt	000 ⇔ 255	Fine control (16-bit)
5	5	5	Pan/Tilt Speed	000 ⇔ 255	0–100%
6	6	6	Dimmer	000 ⇔ 255	0–100%
–	7	7	Fine Dimmer	000 ⇔ 255	Fine control (16-bit)
7	8	8	Shutter	000 ⇔ 019	Closed
				020 ⇔ 024	Open
				025 ⇔ 064	Strobe 1 with decreasing speed
				065 ⇔ 069	Open
				070 ⇔ 084	Strobe 2 (fast on slow off) with decreasing speed
				085 ⇔ 089	Open
				090 ⇔ 104	Strobe 3 (slow on fast off) with decreasing speed
				105 ⇔ 109	Open
				110 ⇔ 124	Strobe 4 (random strobe) with decreasing speed
				125 ⇔ 129	Open
				130 ⇔ 144	Strobe 5 (random fast on slow off) with decreasing speed
				145 ⇔ 149	Open
				150 ⇔ 164	Strobe 6 (random slow on fast off) with decreasing speed
				165 ⇔ 169	Open
				170 ⇔ 184	Strobe 7 (pulse strobe) with decreasing speed
				185 ⇔ 189	Open
190 ⇔ 204	Strobe 8 (random pulse strobe) with decreasing speed				
205 ⇔ 209	Open				
210 ⇔ 224	Strobe 9 (fade on or off) with decreasing speed				
225 ⇔ 229	Open				
230 ⇔ 244	Strobe 10 (pulse strobe) with decreasing speed				
245 ⇔ 255	Open				
8	9	9	CTC	000	No function
				245 ⇔ 255	10,000K to 2800K
9	10	10	Colors	000 ⇔ 255	see <a href="#">Color Chart</a>
10	11	11	Gobos	000 ⇔ 255	see <a href="#">Gobo Values</a>
11	12	12	LED Built-ins	000 ⇔ 255	see <a href="#">LED Built-ins</a>
12	13	13	LED Built-in Speed	000 ⇔ 127	Clockwise, fast to slow
				128	Stop
				129 ⇔ 255	Counterclockwise, slow to fast
13	14	14	LED Built-in Delay	000 ⇔ 255	Fast to slow
14	15	15	Background Color Macros	000 ⇔ 255	see <a href="#">Color Chart</a>
15	16	16	Background Color Dimmer	000 ⇔ 255	0–100%
–	17	17	Background Red	000 ⇔ 255	0–100%
–	18	18	Background Green	000 ⇔ 255	0–100%
–	19	19	Background Blue	000 ⇔ 255	0–100%
–	20	20	Background White	000 ⇔ 255	0–100%
16	21	21	Zoom	000 ⇔ 255	Narrow to wide

# Operation



21CH	62CH	71CH	Function		Value	Percent/Setting
17	22	22	Control		000 ⇔ 009	No function
					010 ⇔ 014	Pan/Tilt blackout
					015 ⇔ 019	No function
					020 ⇔ 024	RGBW color mixing (5 sec.)
					025 ⇔ 029	CMY color mixing (5 sec.)
					030 ⇔ 049	No function
					050 ⇔ 054	Pan reset
					055 ⇔ 059	Tilt reset
					060 ⇔ 064	Zoom reset
					065 ⇔ 069	No function
					070 ⇔ 074	Reset all
					075 ⇔ 079	No function
					080 ⇔ 084	Pan/tilt reverse
					085 ⇔ 089	Pan reverse
					090 ⇔ 094	Tilt reverse
					095 ⇔ 099	Cancel pan reverse
					100 ⇔ 104	Cancel tilt reverse
					105 ⇔ 109	Cancel pan/tilt reverse
					110 ⇔ 119	No function
					120 ⇔ 124	Fan low speed
125 ⇔ 129	Fan full speed					
130 ⇔ 134	Fan auto					
135 ⇔ 139	Dimmer fast mode					
140 ⇔ 144	Dimmer smooth mode					
145 ⇔ 149	Linear curve					
150 ⇔ 154	Square curve					
155 ⇔ 159	I Squa curve					
160 ⇔ 164	S-Curve					
165 ⇔ 169	White mode on					
170 ⇔ 174	White mode off					
175 ⇔ 255	No function					
18	23	23	Red	Cyan	000 ⇔ 255	0–100% / 100–0%
19	24	24	Green	Magenta	000 ⇔ 255	0–100% / 100–0%
20	25	25	Blue	Yellow	000 ⇔ 255	0–100% / 100–0%
21	26	26	White		000 ⇔ 255	0–100%
–	–	27	Dimmer 1		000 ⇔ 255	0–100%
–	27	28	Red 1	Cyan 1	000 ⇔ 255	0–100% / 100–0%
–	28	29	Green 1	Magenta 1	000 ⇔ 255	0–100% / 100–0%
–	29	30	Blue 1	Yellow 1	000 ⇔ 255	0–100% / 100–0%
–	30	31	White 1		000 ⇔ 255	0–100%
–	–	32	Dimmer 2		000 ⇔ 255	0–100%
–	31	33	Red 2	Cyan 2	000 ⇔ 255	0–100% / 100–0%
–	32	34	Green 2	Magenta 2	000 ⇔ 255	0–100% / 100–0%
–	33	35	Blue 2	Yellow 2	000 ⇔ 255	0–100% / 100–0%
–	34	36	White 2		000 ⇔ 255	0–100%
–	–	37	Dimmer 3		000 ⇔ 255	0–100%
–	35	38	Red 3	Cyan 3	000 ⇔ 255	0–100% / 100–0%
–	36	39	Green 3	Magenta 3	000 ⇔ 255	0–100% / 100–0%
–	37	40	Blue 3	Yellow 3	000 ⇔ 255	0–100% / 100–0%
–	38	41	White 3		000 ⇔ 255	0–100%
–	–	42	Dimmer 4		000 ⇔ 255	0–100%

21CH	62CH	71CH	Function		Value	Percent/Setting
-	39	43	Red 4	Cyan 4	000 ⇄ 255	0-100% / 100-0%
-	40	44	Green 4	Magenta 4	000 ⇄ 255	0-100% / 100-0%
-	41	45	Blue 4	Yellow 4	000 ⇄ 255	0-100% / 100-0%
-	42	46	White 4		000 ⇄ 255	0-100%
-	-	47	Dimmer 5		000 ⇄ 255	0-100%
-	43	48	Red 5	Cyan 5	000 ⇄ 255	0-100% / 100-0%
-	44	49	Green 5	Magenta 5	000 ⇄ 255	0-100% / 100-0%
-	45	50	Blue 5	Yellow 5	000 ⇄ 255	0-100% / 100-0%
-	46	51	White 5		000 ⇄ 255	0-100%
-	-	52	Dimmer 6		000 ⇄ 255	0-100%
-	47	53	Red 6	Cyan 6	000 ⇄ 255	0-100% / 100-0%
-	48	54	Green 6	Magenta 6	000 ⇄ 255	0-100% / 100-0%
-	49	55	Blue 6	Yellow 6	000 ⇄ 255	0-100% / 100-0%
-	50	56	White 6		000 ⇄ 255	0-100%
-	-	57	Dimmer 7		000 ⇄ 255	0-100%
-	51	58	Red 7	Cyan 7	000 ⇄ 255	0-100% / 100-0%
-	52	59	Green 7	Magenta 7	000 ⇄ 255	0-100% / 100-0%
-	53	60	Blue 7	Yellow 7	000 ⇄ 255	0-100% / 100-0%
-	54	61	White 7		000 ⇄ 255	0-100%
-	-	62	Dimmer 8		000 ⇄ 255	0-100%
-	55	63	Red 8	Cyan 8	000 ⇄ 255	0-100% / 100-0%
-	56	64	Green 8	Magenta 8	000 ⇄ 255	0-100% / 100-0%
-	57	65	Blue 8	Yellow 8	000 ⇄ 255	0-100% / 100-0%
-	58	66	White 8		000 ⇄ 255	0-100%
-	-	67	Dimmer 9		000 ⇄ 255	0-100%
-	59	68	Red 9	Cyan 9	000 ⇄ 255	0-100% / 100-0%
-	60	69	Green 9	Magenta 9	000 ⇄ 255	0-100% / 100-0%
-	61	70	Blue 9	Yellow 9	000 ⇄ 255	0-100% / 100-0%
-	62	71	White 9		000 ⇄ 255	0-100%

## Operation

---

### Configuration (Settings)

#### Pan Reverse

To set the orientation of the pan:

1. Go to the **Setup** main level.
2. Select the **Pan Reverse** option.
3. Select from **OFF** (normal pan motion), or **ON** (reversed pan motion).

#### Tilt Reverse

To set the orientation of the tilt:

1. Go to the **Setup** main level.
2. Select the **Tilt Reverse** option.
3. Select from **OFF** (normal tilt motion), or **ON** (reversed tilt motion).

#### Pan Angle

To set the maximum angle of the pan:

1. Go to the **Setup** main level.
2. Select the **Pan Angle** option.
3. Select from **540** (540°), **360** (360°), or **180** (180°).

#### Tilt Angle

To set the maximum angle of the tilt:

1. Go to the **Setup** main level.
2. Select the **Tilt Angle** option.
3. Select from **230** (230°), **180** (180°), or **90** (90°).

#### Fan Mode

To set the fan speed mode:

1. Go to the **Setup** main level.
2. Select the **Fans** option.
3. Select the fan mode, from **Auto** (fan speed adjusts to product temperature), **ECO** (quiet mode), or **Full** (fan speed at maximum).

#### Display Backlight

To set whether an inactive display will turn off:

1. Go to the **Setup** main level.
2. Select the **Display** option.
3. Select **OFF** (turns off when inactive) or **ON** (always on).

#### Screen Reverse

To set the orientation of the display:

1. Go to the **Setup** main level.
2. Select the **Screen Rev** option.
3. Select from **OFF** (right-side up) or **ON** (upside-down).

#### Color Mixing Mode

The Rogue R3X Wash has a mode that emulates CMY (cyan, magenta, and yellow) color mixing. In this mode, the dimming is reversed (000=100%, 255=0%), and the red, green, and blue channels control cyan, magenta, and yellow, respectively.

To set the color mixing mode:

1. Go to the **Setup** main level.
2. Select the **C Mixing Mode** option.
3. Select from **RGBW** (additive mode: red, green, blue, and white), or **CMY** (subtractive mode: red controls cyan, green controls magenta, blue controls yellow).

#### Dimmer Curve

To set the dimmer curve:

1. Go to the **Setup** main level.
2. Select the **Dimmer Curve** option.
3. Select the dimmer curve, from **Linear**, **Square**, **I Squa**, or **SCurve**.

#### Dimmer Speed

To set the dimmer speed mode:

1. Go to the **Setup** main level.
2. Select the **Dimmer Speed** option.
3. Select the dimmer curve, from **Smooth** or **Fast**.

## Pulse-Width Modulation Options

To set the PWM frequency:

1. Go to the **Setup** main level.
2. Select the **PWM Option** option.
3. Select the frequency, from **600Hz**, **1200Hz**, **2000Hz**, **4000Hz**, **6000Hz**, or **15000Hz**.

## Color Calibration

To alter the color calibration settings:

1. Go to the **Setup** main level.
2. Select the **Color Calibration** option.
3. Select the calibration mode, from **On** (Uses factory default settings), **Off** (Sets all colors to maximum output), or **Custom** (To set a custom white balance).
4. If **Custom** was selected, then select which color to edit, from **RED**, **GREEN**, or **BLUE**.
5. Increase or decrease the maximum output level of the selected color, from **100–255**.

## White Mode

To turn the White Mode on or off, or edit the balance of the White Mode:

1. Go to the **Setup** main level.
2. Select the **White Mode** option.
3. Select **On** (to calibrate the color temperature to 7500K), **Off** (to sets all colors to maximum output), or **Custom** (to customize the White Mode).
4. If **Custom** was selected, then select which color to edit, from **RED**, **GREEN**, **BLUE**, or **WHITE**.
5. Increase or decrease the maximum output level of the selected color, from **000–255**.

## Reset Function

To reset specific functions or the entire product:

1. Go to the **Setup** main level.
2. Select the **Reset Function** option.
3. Select the functions to reset, from **Pan/Tilt**, **Zoom**, or **All**.
4. Select **NO** (to cancel) or **YES** (to reset the selected functions).

## Factory Reset

To reset the product to factory settings:

1. Go to the **Setup** main level.
2. Select the **Factory Set** option.

## Test Mode

### Auto Test

To have the Rogue R3X Wash automatically test all functions one after the other:

1. Go to the **Running Mode** main level.
2. Select the **Auto Test** option.

### Manual Test

To manually test an individual function of the Rogue R3X Wash:

1. Go to the **Run Mode** main level.
2. Select the **Manual Test** option.
3. Select a function to test, from **Pan**, **Tilt**, **P/T Speed**, **Red**, **Green**, **Blue**, **White**, **CTC**, **Color**, **Pattern**, **LED Macro**, **LED Ma. Speed**, **LED Ma. Fade**, **Background**, **Background Dim.**, **Dimmer**, **Shutter**, or **Zoom**.
4. Increase or decrease the value of the selected function from **000–255** to test it.

## System Information

The information section of the menu displays statistics and the current status of the product's various functions. To view these information sections:

1. Go to the **Sys Info** main level.
2. Select the **System Information** option.

## Offset Mode (Zero Adjust)

The Offset mode provides fine adjustments for the home position of every moving part in the optical path as well as the pan and tilt movements. To adjust these options and prevent borders showing or reduction of the light output:

1. From the main level screen, press and hold **<MENU>** until the passcode screen appears.
2. Enter the passcode: **2323** and press **<ENTER>**.
3. Select the "zero" position to adjust, from **PAN**, **TILT**, or **ZOOM**.
4. Adjust the "zero" position for the selected function from **000–255**.



## 5. Maintenance

### Product Maintenance

Dust build-up reduces light output performance and can cause overheating. This can lead to reduction of the light source's life and/or mechanical wear. To maintain optimum performance and minimize wear, clean your lighting products at least twice a month. However, be aware that usage and environmental conditions could be contributing factors to increase the cleaning frequency.

To clean the product, follow the instructions below:

1. Unplug the product from power.
2. Wait until the product is at room temperature.
3. Use a vacuum (or dry compressed air) and a soft brush to remove dust collected on the external surface/vents.
4. Clean all transparent surfaces with a mild soap solution or ammonia-free glass cleaner.
5. Apply the solution directly to a soft, lint free cotton cloth or a lens cleaning tissue.
6. Softly drag any dirt or grime to the outside of the transparent surface.
7. Gently polish the transparent surfaces until they are free of haze and lint.



**Always dry the transparent surfaces carefully after cleaning them.**



**Do not spin the cooling fans with compressed air. Damage may result.**

## 6. Technical Specifications

### Dimensions and Weight

Length	Width	Height	Weight
15.51 in (394 mm)	11.73 in (298 mm)	18.50 in (470 mm)	38.5 lb (17.5 kg)

**Note:** Dimensions in inches are rounded.

### Power

Power Supply Type	Range	Voltage Selection
Switching (internal)	100 to 240 VAC, 50/60 Hz	Auto-ranging

Parameter	100 V, 60 Hz	120 V, 60 Hz	208 V, 60 Hz	230 V, 50 Hz	240 V, 50 Hz
Consumption	670 W	661 W	653 W	650 W	654 W
Operating Current	6.76 A	5.60 A	3.136 A	2.85 A	2.738 A
Power linking current (products)	12 A (0 products)	12 A (2 products)	12 A (3 products)	12 A (4 products)	12 A (4 products)
Fuse/Breaker	T/F 12 A, 250 V	T/F 12 A, 250 V	T/F 12 A, 250 V	T/F 12 A, 250 V	T/F 12 A, 250 V

Power I/O	U.S./Worldwide	UK/Europe
Power Input Connector	Neutrik® powerCON® A	Neutrik® powerCON® A
Power Output Connector	Neutrik® powerCON® B	Neutrik® powerCON® B
Power Cord plug	Edison (U.S.)	Local Plug

### Light Source

Type	Color	Quantity	Power	Current	Lifespan
LED	Quad-color RGBW	37	25 W	1.5 A	50,000 hours

### Photometrics

Beam Angle	Field Angle	Zoom Angle
8° to 30°	12° to 49°	12° to 49°
Illuminance @ 5 m (12°)	Illuminance @ 5 m (49°)	Color Temperature Range
19,000 lux	1730 lux	2800 to 10000 K

### Thermal

Maximum External Temperature	Cooling System
113 °F (45 °C)	Fan-assisted Convection

### DMX

I/O Connector	Channel Range
3 and 5-pin XLR	21, 62, 71, or 107

### Ordering

Product Name	Item Name	Item Code	UPC Number
Rogue R3X Wash	ROGUER3XWASH	08011592	781462219406



## Returns

---

### Returns

Send the product prepaid, in the original box, and with the original packing and accessories. Chauvet will not issue call tags.

Call Chauvet and request a Return Merchandise Authorization (RMA) number before shipping the product. Be prepared to provide the model number, serial number, and a brief description of the cause(s) for the return.

To submit a service request online, go to [www.chauvetprofessional.com/service-request](http://www.chauvetprofessional.com/service-request).

Clearly label the package with an RMA number. Chauvet will refuse any product returned without an RMA number.



**Write the RMA number on a properly affixed label. DO NOT write the RMA number directly on the box.**

Before sending the product, clearly write the following information on a piece of paper and place it inside the box:

- Your name
- Your address
- Your phone number
- RMA number
- A brief description of the problem

Be sure to pack the product properly. Any shipping damage resulting from inadequate packaging will be your responsibility. FedEx packing or double-boxing are recommended.



**Chauvet reserves the right to use its own discretion to repair or replace returned product(s).**

## Contact Us

General Information	Technical Support
<b>Chauvet World Headquarters</b>	
Address: 5200 NW 108th Ave. Sunrise, FL 33351 Voice: (954) 577-4455 Fax: (954) 929-5560 Toll Free: (800) 762-1084	Voice: (844) 393-7575 Fax: (954) 756-8015 Email: <a href="mailto:chauvetcs@chauvetlighting.com">chauvetcs@chauvetlighting.com</a> Website: <a href="http://www.chauvetprofessional.com">www.chauvetprofessional.com</a>
<b>Chauvet U.K.</b>	
Address: Unit 1C Brookhill Road Industrial Estate Pinxton, Nottingham, UK NG16 6NT Voice: +44 (0) 1773 511115 Fax: +44 (0) 1773 511110	Email: <a href="mailto:UKtech@chauvetlighting.eu">UKtech@chauvetlighting.eu</a> Website: <a href="http://www.chauvetprofessional.eu">www.chauvetprofessional.eu</a>
<b>Chauvet Benelux</b>	
Address: Stokstraat 18 9770 Kruishoutem Belgium Voice: +32 9 388 93 97	Email: <a href="mailto:BNLtech@chauvetlighting.eu">BNLtech@chauvetlighting.eu</a> Website: <a href="http://www.chauvetprofessional.eu">www.chauvetprofessional.eu</a>
<b>Chauvet France</b>	
Address: 3, Rue Ampère 91380 Chilly-Mazarin France Voice: +33 1 78 85 33 59	Email: <a href="mailto:FRtech@chauvetlighting.fr">FRtech@chauvetlighting.fr</a> Website: <a href="http://www.chauvetprofessional.eu">www.chauvetprofessional.eu</a>
<b>Chauvet Germany</b>	
Address: Bruno-Bürgel-Str. 11 28759 Bremen Germany Voice: +49 421 62 60 20	Email: <a href="mailto:DEtech@chauvetlighting.de">DEtech@chauvetlighting.de</a> Website: <a href="http://www.chauvetprofessional.eu">www.chauvetprofessional.eu</a>
<b>Chauvet Mexico</b>	
Address: Av. de las Partidas 34 - 3B (Entrance by Calle 2) Zona Industrial Lerma Lerma, Edo. de México, CP 52000 Voice: +52 (728) 690-2010	Email: <a href="mailto:servicio@chauvet.com.mx">servicio@chauvet.com.mx</a> Website: <a href="http://www.chauvetprofessional.mx">www.chauvetprofessional.mx</a>

Visit the applicable website above to verify our contact information and instructions to request support. Outside the U.S., U.K., Ireland, Benelux, France, Germany, or Mexico, contact the dealer of record.